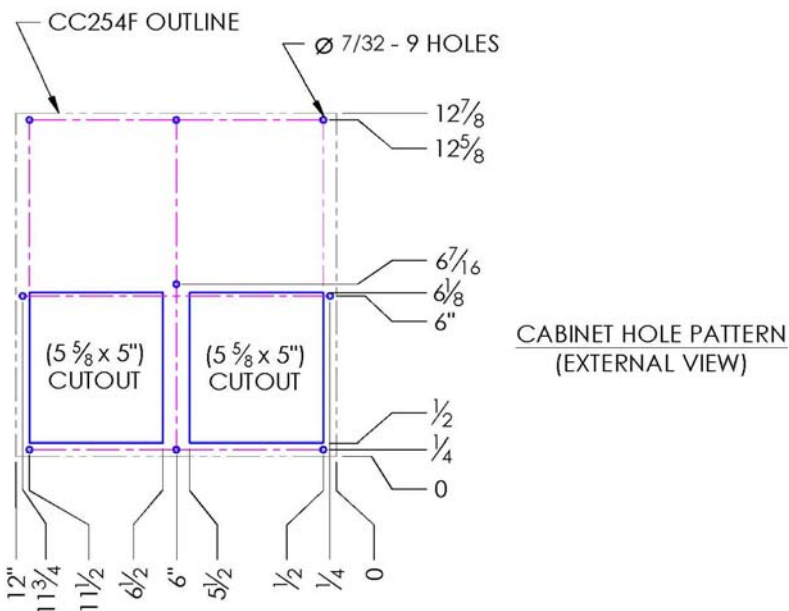
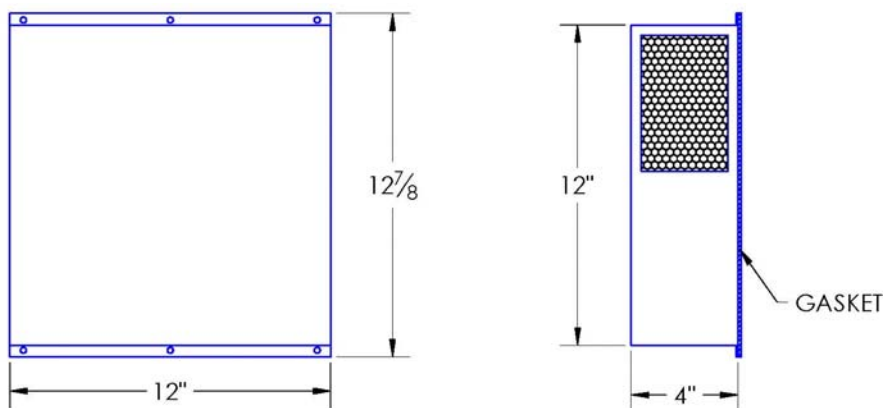




CC254F TYPE 12 COMPACT CABINET COOLER AIR-TO-AIR FLUSH-MOUNT MODEL

| Model | Weight | Rating @ 20°C ΔT BTU / hr | Amps Current Draw at 115 volts AC | Fan Size | Dimensions-Inches (H x W x D) |
|--------|--------|---------------------------------|---|-------------|----------------------------------|
| CC254F | 8 lbs | 1,100 | 0.4 | 2 x 4" | 12-7/8 x 12 x 4 |

Efficiency: 16.5 Watts / °C ΔT based on average internal cabinet temperature.



- SPECIFICATIONS**
- UL Listed for TYPE 12 environments.
 - CC254F Rated cooling: 330 Watts at 20°C ΔT (16.5 W/°C, mounted to an uninsulated 24" X 24" X 16" Cabinet)
 - Designed for surface mounting on outside of cabinet.
 - Housing is aluminum (color is black). Stainless steel is available.
 - Equipped with mounting gasket to maintain air tight seal.
 - Internal 6-ft. power cord with 3-prong plug is standard for AC powered units.
 - Available with VAC (115 & 230) and VDC (12, 24, & 48) fans. DC powered units include junction box, consult website.
 - Unit may be mounted vertically (as shown) or horizontally.
 - Optional: inlet air-filter kit available upon request.
 - For design, quote, and sizing assistance: call (866) 936-6736.**

Subject to change without notice.



UL File #SA9567



Proudly made in USA



ISO 9001:2008
FM 554949



Noren Products, Inc.
1010 O'Brien Drive
Menlo Park, CA 94025
(650) 322 - 9500
www.norenproducts.com

CC254F TYPE 12

CCS-PBD-7.2.2-883357-A